



Reg. No. :

--	--	--	--	--	--	--	--	--	--	--	--	--	--	--	--	--	--	--	--

Question Paper Code : 91482

B.E./B.Tech. DEGREE EXAMINATIONS, NOVEMBER/DECEMBER 2019

Third Semester

Electrical and Electronics Engineering

EE 6303 – LINEAR INTEGRATED CIRCUITS AND APPLICATIONS

(Common to Electronics and Instrumentation Engineering and Instrumentation
and Control Engineering)

(Regulations 2013)

Time : Three Hours

Maximum : 100 Marks

Answer ALL questions

PART – A

(10×2=20 Marks)

1. Classify ICs on the basis of application, device used and chip complexity.
2. Mention different available IC package configurations.
3. What is meant by input offset current and offset voltage ?
4. Define CMRR.
5. What is sample and hold circuit ? Where it is used ?
6. What is the advantage of using active clipper over passive clipper ?
7. What is an analog multiplier ? Name its applications.
8. Draw the circuit diagram of a PLL circuit used as an AM modulator.
9. What is SMPS ?
10. What are the applications of fixed voltage regulator ?



PART - B

(5×13=65 Marks)

11. a) i) Describe the Epitaxial growth process. (7)
 ii) Explain the different types of IC packages. (6)

(OR)

- b) Briefly explain the various process involved in fabrication monolithic IC which integrates diode, capacitance and FET.

12. a) Discuss the frequency response characteristics and compensation of an operational amplifier.

(OR)

- b) i) Explain the application of Op-Amp as differentiator. (7)
 ii) Find V_0 for the given circuit shown in Figure (1). (6)

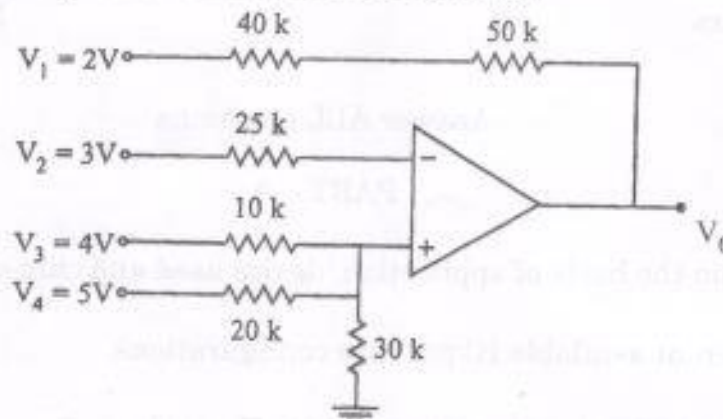


Figure (1)

13. a) i) Design a second order Butterworth Low pass filter having upper cut-off frequency of 1 KHz. (7)
 ii) Explain how to measure the phase difference between two signals. (6)

(OR)

- b) i) Draw a sample and hold circuit and explain its operation. (6)
 ii) Design a circuit of a clipper which will clip the input signal below a reference voltage. (7)

14. a) Briefly explain the functional block diagram of NE 565 PLL-IC to operate as a frequency divider.

(OR)

- b) i) Explain the functional block diagram of 555 timer IC. (6)
 ii) Design a monostable multivibrator with pulse duration of 1m sec using 555 timer IC. (7)



15. a) What do you mean by the fixed voltage and variable voltage regulator ? List its various applications.

(OR)

b) Write short notes on :

- i) LM380 Power Audio Amplifier. (7)
- ii) ICL 8038 Function Generator. (6)

PART – C

(1×15=15 Marks)

16. a) Develop an op-amp based circuits to perform following mathematical operations :

- i) Integration (5)
- ii) Logarithmic (5)
- iii) Multiplication. (5)

(OR)

b) Develop an op-amp based instrumentation amplifier for industrial applications.
